

# Bell Hydromatics

## Fixed Displacement Vane Pumps

### Single Pumps

#### IVP(Q)1



#### IVP(Q) Single Pumps Max. Continuous Pressures

Frame Size	◆Code	Geometric Displacement cm <sup>3</sup> /r	IVP(Q)		F11-IVP(Q)		F3-IVP(Q)		Min. Speed (rpm)
			♣using antiwear oil or phosphate ester fluid		Using water glycol fluid		Using Water-in-oil emulsions		
			Max. Pressure (bar)	Max. Speed (rpm)	Max. Pressure (bar)	Max. Speed (rpm)	Max. Pressure (bar)	Max. Speed (rpm)	
IVP(Q)1	2	7.5	138	1800	138	1500	138	1200	600
	3	10.2							
	4	12.8							
	5	16.7	207		207				
	6	19.2							
	7	22.9							
	8	26.2							
	10	31.0							
	11	35.0							
	12	37.9	157		138				
	14	44.2	138						

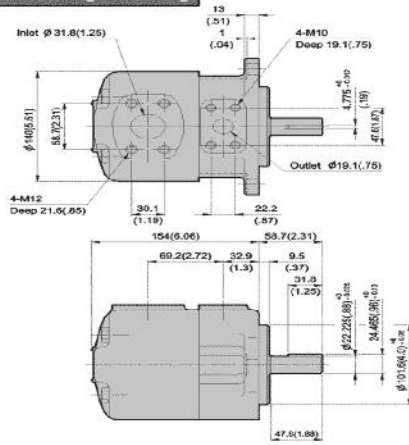
◆ Transient (peak) pressure 10% over the max. continuous pressure rating for 0.5 seconds or less duration is allowed.

♣ Rated capacity in USgpm at 1200 rpm and 6.9 bar

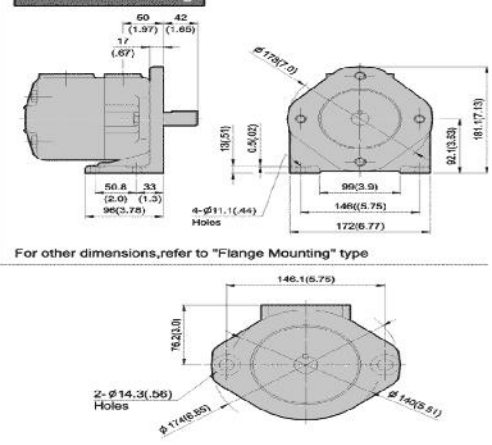
**Dimensions**

**IVP1 Single Pumps – Dimensions**

**IVP1 Flange Mounting**

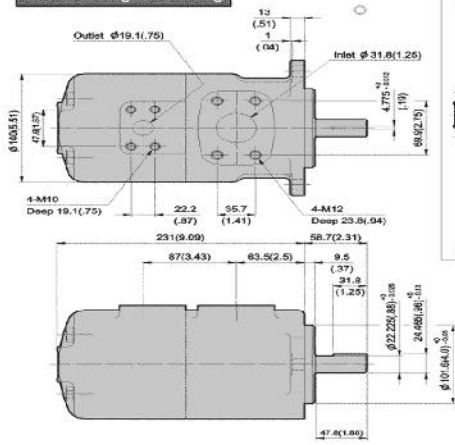


**IVP1 Foot Mounting**

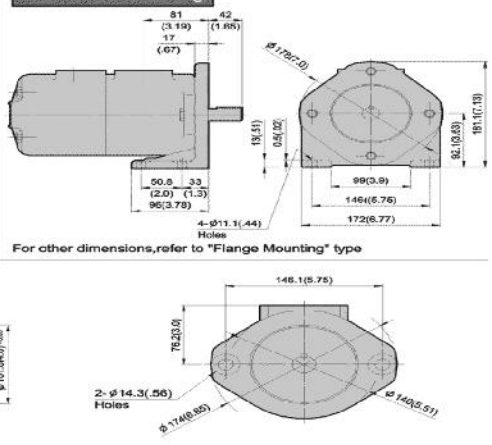


**IVPQ1 Single Pumps – Dimensions**

**IVPQ1 Flange Mounting**

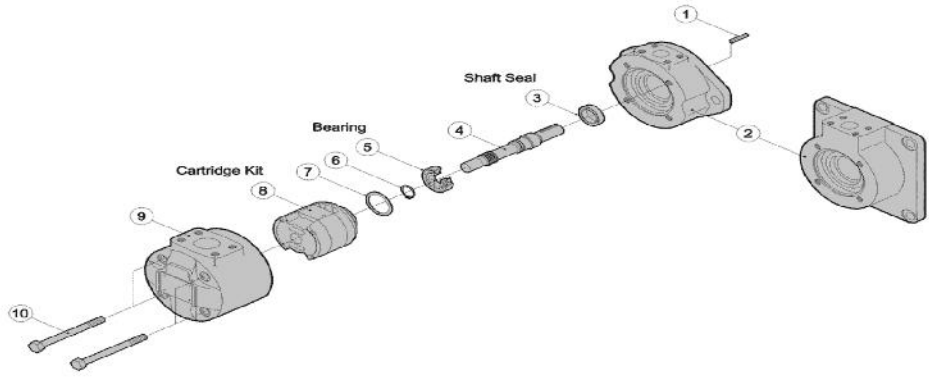


**IVPQ1 Foot Mounting**



**Assembly**

**IVP1 Single Pumps – Assembly**



**IVPQ1 Single Pumps – Assembly**

